

**IMPORTANT! READ CAREFULLY AND KEEP THIS USER'S  
MANUAL IN A SAFE PLACE FOR FUTURE REFERENCE!**

**INSTRUCTION MANUAL FOR  
BABY STROLLER  
"EASY GO"**



This stroller **chipolino** is manufactured according to the requirements of the Product Safety Directive 2001/95/EU of the European Parliament and The Council and with European standard EN 1888-1:2018+A1:2022 Child use and care articles. Wheeled child conveyances. Part 1: Pushchairs and prams, as well as the National Consumer Protection Law and national legislation.

## CAUTION! WARNINGS!

- ❖ **WARNING!** NEVER LEAVE YOUR CHILD UNATTENDED!
- ❖ **WARNING!** ALWAYS USE THE RESTRAINT SYSTEM (SAFETY BELTS)!
- ❖ **WARNING!** MAKE SURE THAT ALL LOCKING MECHANISMS ARE ENGAGED BEFORE USE.
- ❖ **WARNING!** BEFORE EACH USE, CHECK THE STABILITY OF FIXING OF SEPARATE PARTS!
- ❖ **WARNING!** MAKE SURE YOUR CHILD IS AT SAFE DISTANCE AWAY FROM THE STROLLER DURING ADJUSTMENTS, FOLDING OR UNFOLDING OF THE STROLLER.
- ❖ **WARNING!** DO NOT ALLOW YOUR CHILDREN TO PLAY WITH THE STROLLER!
- ❖ **WARNING!** THIS PRODUCT IS NOT SUITABLE FOR RUNNING OR SKATING!
- ❖ FOR NEWBORN BABY USE THE MOST LYING POSITION OF THE BACKREST OF THE SEAT! ALWAYS ATTACH THE CANOPY TO THE BACKREST TO PREVENT THE BABY TO FALL AND INJURE!
- ❖ USE THE SITTING POSITION OF THE SEAT UNIT ONLY AFTER CHILD IS LEAST 6 MONTHS OLD! SITING POSITION OF SEAT IS NOT SUITABLE FOR BABIES, WHO ARE AGED LESS THAN 6 MONTHS!
- ❖ DO NOT LIFT THE STROLLER BY THE FRONT BAR, BECAUSE THIS CAN LEAD TO SERIOUS INJURIES!
- ❖ KEEP AWAY FROM FIRE!
- ❖ Use the stroller for a child weighing not more than 15 kg.
- ❖ Initial assembly, folding and unfolding to be done only by adult!
- ❖ Always engage the brakes when the stroller has stopped and is not moving, especially when you place or take out your child from it!
- ❖ Make sure the safety belts are fastened and fit well to the child before usage.
- ❖ Do not place an additional mattress thicker than 10 mm in stroller.
- ❖ The maximum load for the storage basket is 2 kg.
- ❖ Do not overload the stroller! Always balance your stroller in a way to keep it stable and prevent the risk of tip-over!
- ❖ Stroller is intended for use for one child at a time!
- ❖ Do not use any spare parts or other components, which are not approved by the producer! The producer does not take any responsibility for the safety of the child when you have not used the proper and original spare parts, approved and provided by the producer!
- ❖ Do not apply any changes or modifications to the stroller's construction! Contact the dealer or an authorized repair service for advice and/or repair instead!
- ❖ Discontinue the usage, if you find worn out or loose joints, damaged or missing parts! There is a risk of injury of the child!
- ❖ Do not allow children younger than 3 years near the stroller during the assembly or disassembly, in order to prevent the risk of injury or swallowing of small parts!
- ❖ Strings can cause strangulation! Do not place additional strings to the product to avoid injuries!
- ❖ Never use the stroller on stairs or escalators! Use extra care when going up or down a pavement or step!
- ❖ The packaging of the product must be kept out of the reach of children to avoid the risk of strangulation!



## PRODUCT FEATURES

- ❖ Stroller is suitable for newborn babies and children aged up to 36 months or weighing up to 15 kg.
- ❖ 5-point safety harness system;
- ❖ Two height levels of the shoulder belts;
- ❖ Adjustable backrest;
- ❖ Adjustable canopy;
- ❖ Adjustable leg rest;
- ❖ Automatic folding.

## MAIN PARTS



- 1 – Handle
- 2 – Canopy
- 3 – Front bumper
- 4 – Storage basket
- 5 – Swivel and straight wheels movement switch
- 6 – Leg rest
- 7 – 5- point safety harness
- 8 – Unfolding and folding button
- 9 – Front wheel
- 10 – Rear wheel
- 11 – Crotch protective strap
- 12 – Parking device

## ASSEMBLY INSTRUCTIONS AND FUNCTIONS

This stroller is supplied partially assembled. In order to complete the assembly, you do not need any tools.

**WARNING!** Follow exactly the instructions given and check the pictures.

**WARNING!** After each operation, make sure that you have followed the instructions correctly and the fixing is stable!

**WARNING!** In most cases after the completion of an operation you will hear a clicking sound.

The assembly, disassembly and functions are numbered from 1 to 11. Use the operations descriptions given in this manual and their matching picture.

### 1 – UNFOLDING THE STROLLER

Pull up the handle until the stroller is fully unfolded and you hear a click.

### 2 – ASSEMBLY AND REMOVAL OF THE REAR WHEELS

Install the rear wheels to the openings in rear tubes, as shown (J). When the wheels are fixed you will hear a click.

To remove the wheels, pull down the lever (K1) and remove the wheel (K2).

### **3 – ASSEMBLY AND REMOVAL OF THE FRONT WHEELS**

Install the front wheels to the openings in front tubes, as shown (C1). When the wheels are fixed you will hear a click.

To remove the wheels press the button (C) and remove the wheel (C2).

### **4 – FRONT AND SWIVEL MOVEMENT OF FRONT WHEELS**

To activate straight movement function move the switch down.

To activate swivel movement, slide the switch up.

**Note:** When pushing the stroller on uneven surfaces, the front wheels must be moving straight.

### **5 – PARKING DEVICE**

**IMPORTANT!** Always activate the parking device while stroller is not in motion in order to avoid sudden sliding and injuries!

### **6 – BACKREST RECLINE ADJUSTMENT**

Press the button on backrest to adjust the recline position up or down.

**WARNING!** BABIES UNDER 6 MONTHS MUST BE PLACED ON THE SEAT ONLY WITH THE BACKREST, ADJUSTED IN THE MOST RECLINED (FLAT) POSITION!

### **7 – ASSEMBLY AND DETACHMENT OF FRONT BUMPER**

Place the two ends of the front bumper to the openings in the frame and press until you hear a click.

In order to detach the bumper press the buttons on both sides and pull out the bumper.

### **8 – CANOPY FOLDING AND UNFOLDING**

Push the canopy with your hand in order to fold it.

Pull out the canopy with your hand in order to unfold it.

### **9 – LEG REST**

Press the two buttons on the leg rest simultaneously (G and K) and move the leg rest to lower position.

To lift the leg rest, just push it with your hand until you hear a click sound.

### **10 – RESTRAINT SYSTEM (safety belt)**

To unfasten the safety belt, press the central buckle and split the belts.

**ATTENTION!** Belts must be snug to child's body and must not be twisted. Adjust the length of the belts accordingly.

The shoulder belts may be adjusted in two height levels. To position the belts in lower level, detach the shoulder belts from the central buckle, remove the shoulder pads and thread the belts through the two hoops.

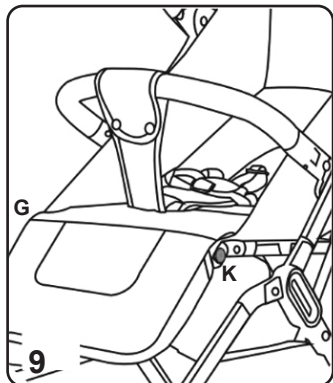
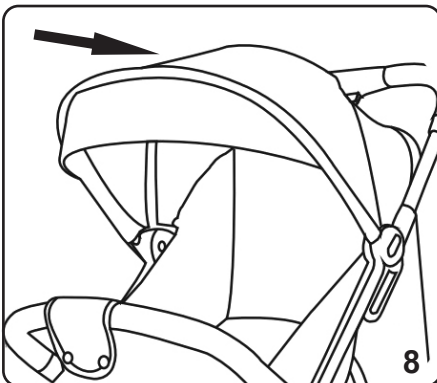
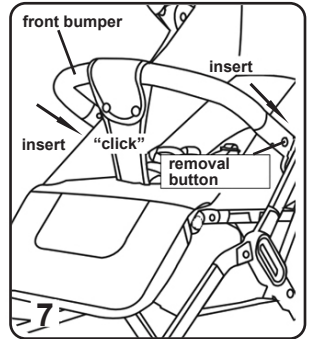
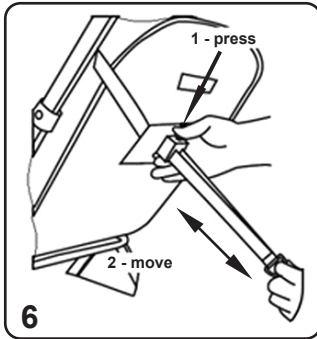
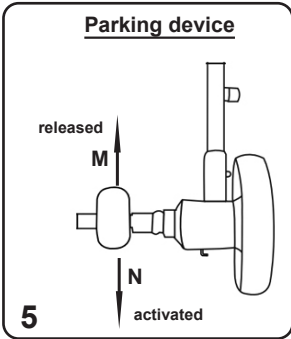
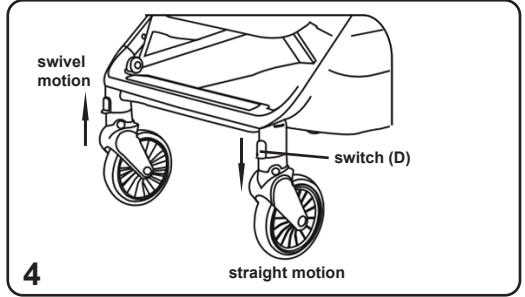
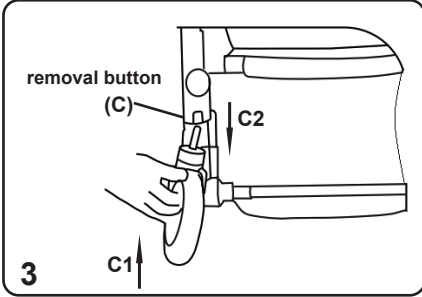
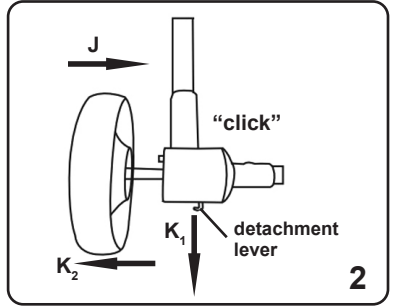
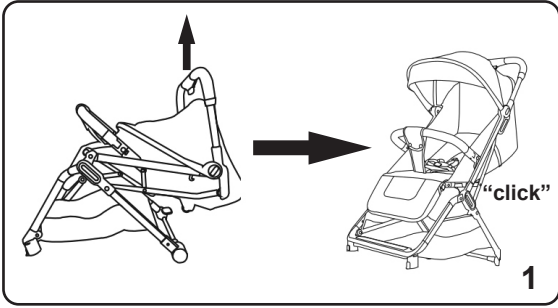
**WARNING!** Periodically check to ensure that the seat belt is securely attached to the stroller frame as well as securely fastened. The belts should not be worn or torn, and plastic buckles and fasteners must be sturdy, free of damage and secure.

**ATTENTION!** When using the seat for newborn baby, before placing the child into the stroller, you must unfasten the belt and put the shoulder and waist traps to the sides of the stroller and cover them with thin pad or a mattress not thicker than 10 mm.

### **11 – FOLDING THE STROLLER**

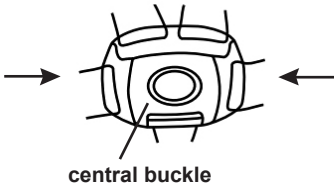
**IMPORTANT!** Before folding the stroller the parking device must be engaged and the storage basket should be empty.

Pull with your thumb the button in direction D and simultaneously press with your other fingers the button E. Press gently the handle and the stroller will fold on its own.

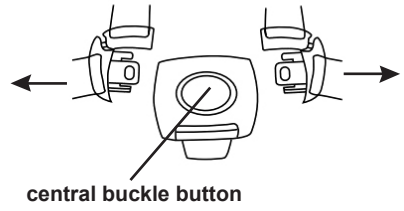


**Fastening**

“click”

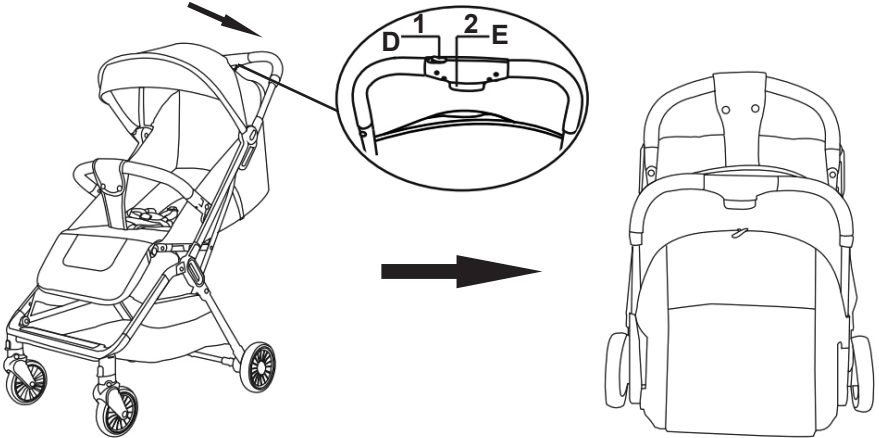


**Unfastening**



**10**

automatic fold



**11**

## CARE AND MAINTENANCE GUIDELINES

- ❖ The brakes and wheels wear out faster than other parts. Replace them when necessary.
- ❖ Regularly oil the moving parts. Use silicone oil or silicone spray for oiling.
- ❖ Clean and oil all dirty metal and plastic parts regularly.
- ❖ Clean the fabrics, plastic parts and metal parts with damp cotton cloth or sponge and mild soap.
- ❖ Do not use aggressive detergents, solvents, bleach or spirits to clean your stroller.
- ❖ Always leave the stroller to fully dry after cleaning before you use it or store it. Mold could form if you keep your stroller moist.
- ❖ Always store your stroller indoors in clean and dry place. Do not expose to direct environment influence - sun, rain, moisture and high temperature intervals.
- ❖ Please, contact your authorized dealer for problems connected with the use or repair of this stroller.

### Fabric Composition:

**Outer:** 100% Polyester

**Filling:** 100% Polyester



LKEG023xxxx

**CHIPOLINO**

---

Bulgaria, Plovdiv, str. Golyamokonarsko shosse 1

[www.chipolino.com](http://www.chipolino.com)