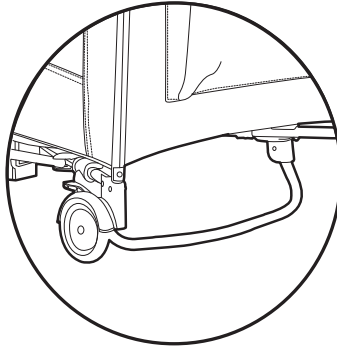


ATTENTION! KEEP FOR FUTURE REFERENCE!

INSTRUCTION MANUAL FOR USE OF ROCKING BARS FOR PORTABLE PLAYPEN



MAIN FEATURES:

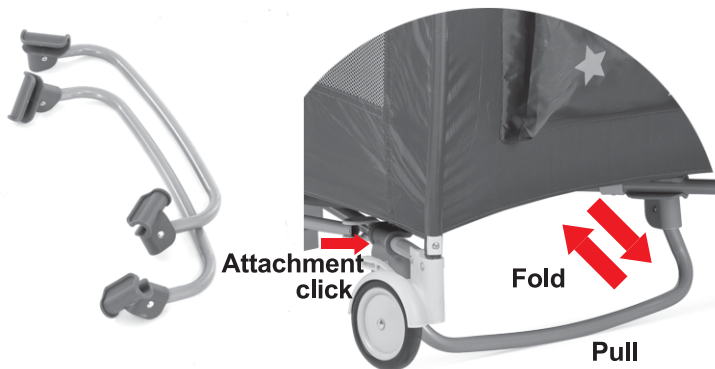
- Suitable for all portable play pens with size 120/60 cm
- Rocking bars give the portable playpen rocking function
- Rocking bars are attached additionally

ATTENTION! YOUR CHILD WILL BE MOST SECURE IF YOU FOLLOW THE INSTRUCTIONS AND RECOMMENDATIONS GIVEN IN THIS USER'S MANUAL!

ATTENTION! WARNINGS! CARE AND MAINTENANCE

- THIS PRODUCT IS NOT A TOY! DO NOT ALLOW CHILDREN PLAY WITH IT!
- USE THE PRODUCT ONLY FOR ITS PURPOSE!
- ATTCHMENT AND REMOVAL OF THE PRODUCT TO BE MADE ONLY BY ADULT, WHILE THERE IS NO CHILD IN THE PLAYPEN!
- DO NOT ALLOW ACCESS OF CHILDREN DURING ACTIVATED ROCKING FUNCTION!
- Discontinue usage of this product if you find any missing or damaged parts!
- Keep young children away from the product before you attach or remove the product to avoid injuries.
- KEEP AWAY FROM FIRE!
- Clean the product with damp cotton cloth or sponge and mild soap. Do not use abrasive, bleach or other aggressive detergents.
- Always store your product indoors away from strong sources of heat. Do not expose to direct environment influence - sun, rain, moisture and high temperature intervals.
- Do not apply any changes or modifications to the product!
- The packaging of the product must be kept out of the reach of children to avoid the risk of strangulation!

ASSEMBLY INSTRUCTION AND FUNCTIONS



ATTACHMENT

Attach with pressure the plastic clips to both long tubes under the play pen until you hear a click sound.

ATTENTION! Make sure both rocking bars are securely fixed to the play pen before usage.

ROCKING FUNCTION

Pull both rocking bars outwards to activate the rocking function.

When you do not want to use the rocking function, fold both rocking bars or remove them from the playpen.

REMOVAL

Pull the clips of both rocking bars from the tubes of playpen.

ATTENTION! ALWAYS REMOVE THE ROCKING BARS BEFORE FOLDING THE PLAYPEN.

Used materials: metal and plastics

RBARS017SET

Importer: CHIPOLINO LTD.,
1 Goliamokonarsko Shosse Str, Plovdiv, BULGARIA;
tel.: +359 32 600 889;
www.chipolino.com